

► Standard specification

	KPxyyy (y=002,006,008,010)	KPxzzz (z=016,028,040,050)
ENCLOSURE	Ex d IIB T4 IP67	Ex db IIB T4 Gb IP67
AMBIENT TEMPERATURE	-20°C~70°C	-20°C~60°C
INDICATOR	KPF-Flat type, KPD-Dome type	
LIMIT SWITCHES	2 Each for Open and Close 250VAC/5A	
MANUAL OPERATION	By Spanner 5mm	By Declutch handwheel
TRAVEL ANGLE	90°±5'	
CABLE ENTRY	2-PF1/2	3-PF1/2



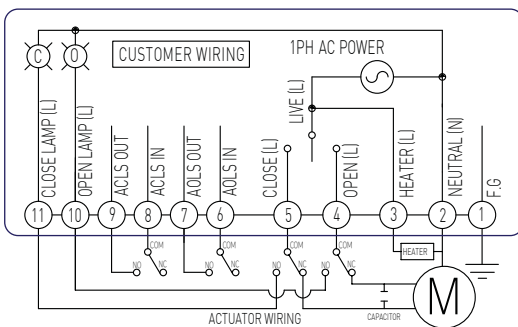
► Performance

MODEL	MAX TORQUE (Nm)			OPERATING TIME 50Hz/60Hz (sec)	RATED CURRENT (A)					MOTOR CLASS/OUTPUT (AC · DC)	MANUAL TURNS
	0°	45°	90°		AC (1PH) 50/60Hz		AC (3PH) 50/60Hz		DC		
					110V	220V	380V	440V	24V		
KPx002	25			8/6.5	0.67/0.6	0.23/0.2			2	E · B/10W · 10W	6
KPx006	60			18/15	0.67/0.6	0.23/0.2			2	E · B/10W · 10W	6
KPx008	80			34/28	0.67/0.6	0.23/0.2			2	E · B/10W · 10W	6
KPx010	100			42/35	0.67/0.6	0.23/0.2			2	E · B/10W · 10W	6
KPx016	160	107	160	28/23	0.94/0.85	0.50/0.46	0.47/0.37	0.62/0.49	4	F · B/25W · 40W	19
KPx028	280	190	280	40/33	0.94/0.85	0.50/0.46	0.47/0.37	0.62/0.49	4	F · B/25W · 40W	23
KPx040	400	270	400	40/33	1.09/1.23	0.54/0.58	0.16/0.15	0.18/0.16	5.5	F · B/25W · 40W	23
KPx050	500	350	500	40/33	1.55/1.75	0.72/0.90	0.30/0.28	0.40/0.30		F40W	23

Explosion proof

► Drawing

► AC 1PH
KPxyyy (y=002, 006, 008, 010)



► AC 1PH
KPxzzz (y=016, 028, 040, 050)

